



Doorphone & Interphone

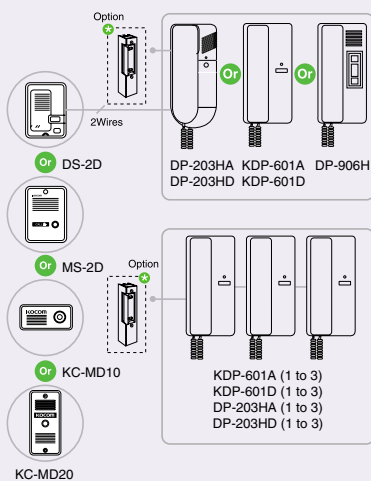


■ DP-203HA
■ DP-203HD

■ KDP-601A
■ KDP-601D

■ DP-906H

Diagram



[DP-203HA / HD KDP-601A / 601D / DP-906H]

- Audio conversation with visitor
- Door open function
- Upto 3 audio handset with outdoor panel connection (DP-203HA, DP-203HD, KDP-601A, KDP-601D)
- Gentle electronic sound
- 4 melody selection (DP-906H)
- Easy installation (mount on the wall or desk)
- DC 12V Type available : DP-203HD (DC 12V)

Specifications

Model no.	DP-203HA, KDP-601A	DP-906H	DP-203HD (DC12V)	DP-203HD, KDP-601D
Power	AC110V or AC220V (±10%)		DC12V	DC6V (AA 1.5V battery) x 4ea
Power consumption	Max. 150mA			
Assurance temperature	0°C ~ +50°C			
Wiring	2wires			
Max. wiring distance	∅0.65 single cable : 300m, 5C-2V coaxial cable : 500m			
Mount type	Surface mount			
Dimension (mm)	92(W) x 210(H) x 57(D)			
Weight (Approx. kg)	0.5kgs (1pc)			

• The product may include option or additional functions.