

SPECIFICATION

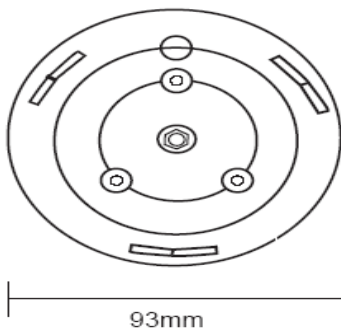
Model	2-IRD-05
Image Pick-up Device	Sharp 1/4" CCD IR Dome
Effective Picture Elements	NTSC:510*492 PAL:500*582 (H*V)
Horizontal Resolution	420 TV Lines
Minimum illumination	0.1 Lux @ F2.0
S/N Ratio	More than 48db
Auto Electronic Shutter	NTSC :1/60S~1/100,000S , PAL :1/50S~1/110,000S
Auto Gain Control	Automatically
Auto White Balance	Color Temperature :2500k~800k
IR LED	24 LEDs
Gama Characteristic	0.45
Synchronous System	Internal, Negative sync
Video Output	1 Vp-p Composite Video / 75 Ohms
Power Supply	12V DC + 1V
Power Consumption	110mA
Lens Furnished	Board lens f3.6mm/F2.0 (optional :f2.5 /4.3 /6.0 /12mm)
Operating Temp	-10°C To 50°C (14°F To 122°F)

FEATURE

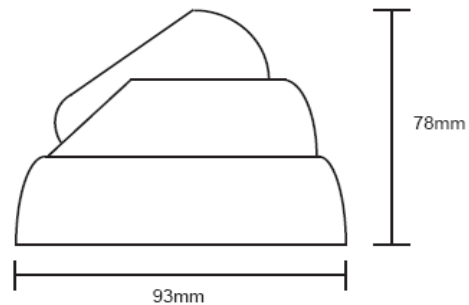
- ~ Color Camera PCB Module with SHARP 1/4" CCD sensor
- ~ Employs Digital Signal Processor (DSP) IC for image control.
- ~ Pixel number :
NTSC=270,000
PAL:320,000
- ~ High sensitivity ,low smear ,excellent antiblooming and high S/N ratio
- ~ Supports functions:Auto Electronic Shutter (AES) , Auto White Balance (AWB) ,Back Light Compensation (BLC) ,Flicker Less (FL)



Rear View



Dimension (Unit : mm)



Due to continuous product development. We reserve the right to change the specifications without prior notice